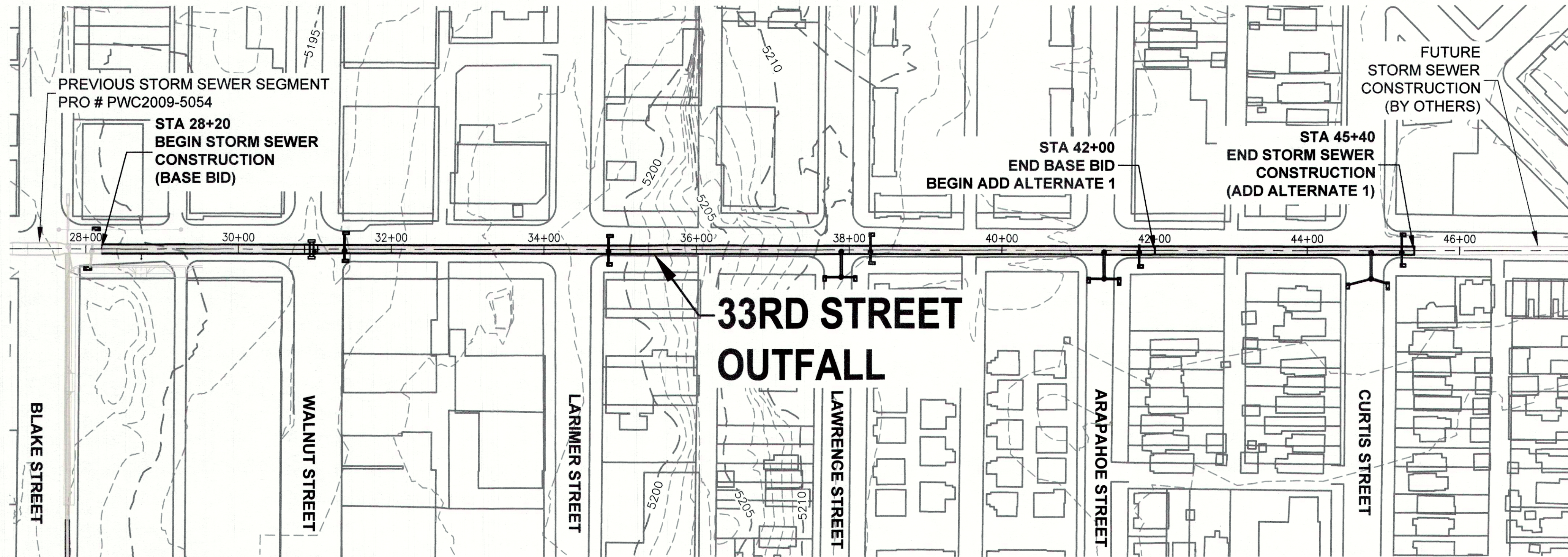


CITY AND COUNTY OF DENVER  
 DEPARTMENT OF PUBLIC WORKS - ENGINEERING DIVISION  
**33RD STREET OUTFALL**  
 (31ST AND 36TH STREET OUTFALL PROJECT)  
**SEGMENT - BLAKE ST. TO ARAPAHOE ST. (BASE BID)**  
 ADD ALTERNATE 1 - ARAPAHOE ST. TO CURTIS ST.

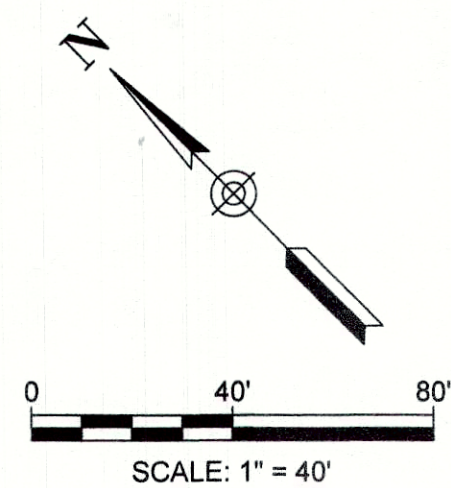
CCD CONTRACT NO: \_\_\_\_\_

PRO CONTROL NO: PWC2009-5054 PROJECT MASTER NO: 2012-PROJMSTR-0000214

**OCTOBER 2016**



OVERALL SHEET #	SUBSET SHEET #	SUBSET TITLE
1-2	GEN1-1 to GEN1-2	COVER SHEET AND GENERAL NOTES
3	DMO1-1	DEMOLITION PLAN
4-10	UTL1-1 to UTL1-7	UTILITY SHEETS
11	STM1-1	STORM SEWER GEOMETRIC PLAN
12-13	STM2-1 to STM2-2	STORM SEWER MAINLINE PLAN & PROFILE
14-17	STM3-1 to STM3-4	STORM SEWER LATERALS PLAN & PROFILE
18-20	STM4-1 to STM4-3	STORM SEWER DETAILS
21	LSP1-1	TREE LAWN PROTECTION PLAN
22	PAV1-1	PAVING TYPICAL SECTIONS
23-25	PAV2-1 to PAV2-3	PAVING PLAN AND DETAILS
26-28	PAV3-1 to PAV3-3	ROADWAY GRADING PLANS
29-30	SS1-1 to SS-2	SIGNING AND STRIPING PLANS
31	TCP1-1	TRAFFIC CONTROL PLAN
32-36	ECP1-1 to ECP1-6	EROSION CONTROL PLAN
37-41	WTR1-1 to WTR1-14	WATER RELOCATION PLANS
42-48	STR1-1 to STR1-6	STRUCTURAL DETAILS
49-58	SRV1-1 to SRV1-10	SURVEY CONTROL
59-61	SRV2-1 to SRV2-3	OWNERSHIP MAP



PROJECT LOCATION:  
 THE PROJECT IS LOCATED IN SECTIONS 26 AND 27, TOWNSHIP 3 SOUTH,  
 RANGE 68 WEST OF THE 6TH PRINCIPAL MERIDIAN, CITY AND COUNTY  
 OF DENVER, STATE OF COLORADO.

APPROVED BY:  
  
 EXECUTIVE DIRECTOR OF PUBLIC WORKS 11/7/16  
 DATE  
  
 CITY ENGINEER 11.4.16  
 DATE  
  
 CITY TRAFFIC ENGINEER 11/03/16  
 DATE  
  
 DIRECTOR OF ENGINEERING CAPITAL PROJECTS 11/3/16  
 DATE

**WILSON & COMPANY**



JEFFREY C. HOLSTE, COLORADO PE # 44317

NO.	DESCRIPTION OF REVISIONS	DATE	BY

CALL UNCC  
 TWO WORKING DAYS  
 BEFORE YOU DIG  
 1-800-922-1987  
 UTILITY WARNING CENTER OF  
 COLORADO

CITY AND COUNTY OF DENVER  
 DEPARTMENT OF PUBLIC WORKS  
 ENGINEERING DIVISION  
 CAPITAL PROJECTS MANAGEMENT  
 2000 W. 3RD AVE. DENVER, CO 80223  
 TEL.: (303) 446-3617 FAX: (303) 446-3647

33RD STREET OUTFALL  
 SEG - BLAKE ST. TO ARAPAHOE ST.  
 PRO CONTROL NO: PWC2009-5054  
 PILAR REVIEW NO: 2012-0214-03  
 COVER SHEET

DRAWN BY:  
 KIS, JCH  
 DESIGNED BY:  
 JCH  
 APPROVED BY:  
 JCH  
 DRAWING NAME:  
 BLKtoRAP COVER SHEET.dwg  
 DATE:  
 OCTOBER 2016  
 SHEET NO:  
 GEN1-1 1 of 61

M:\P\11-600-402-00\3.0\_PHASE\_2\HYDRAULICS\DRAWINGS\SHEETS\BLAKE TO ARAPAHOE SUBMITTAL PACKAGE\SHEETS\BLKtoRAP-COVER SHEETING

PLOT DATE: October 21, 2016