

EXHIBIT A
SHEET 1 OF 2

2019-VACA-0000005-01

LAND DESCRIPTION:

A PARCEL OF LAND BEING THE FIVE FEET (5') OF 36TH STREET ADJACENT TO LOT 32, BLOCK 6, IRONTON AND 1ST ADDITION TO IRONTON, EXCEPTING THE NORTHWESTERLY TWO FEET (2'), SITUATED IN THE SOUTHWEST 1/4 OF SECTION 23, TOWNSHIP 3 SOUTH, RANGE 68 WEST OF THE 6TH P.M., CITY AND COUNTY OF DENVER, STATE OF COLORADO BEING MORE PARTICULARLY DESCRIBED AS FOLLOWS:

BEGINNING AT THE NORTHEAST CORNER OF SAID LOT 32;

THENCE NORTH 45°25'12" WEST, ALONG THE SOUTHWESTERLY RIGHT-OF-WAY LINE OF 36TH STREET AND THE NORTHEASTERLY LINE OF SAID LOT 32, A DISTANCE OF 123.09 FEET, FROM WHENCE THE NORTHWESTERLY CORNER OF SAID LOT 32 BEARS NORTH 45°25'12" WEST, 2.00 FEET;

THENCE NORTH 44°34'48" EAST, DEPARTING SAID SOUTHWESTERLY RIGHT-OF-WAY LINE AND SAID NORTHEASTERLY LOT LINE, A DISTANCE OF 5.00 FEET;

THENCE SOUTH 45°25'12" EAST, ALONG A LINE 5 FEET (5') NORTHEASTERLY OF AND PARALLEL WITH SAID SOUTHWESTERLY RIGHT-OF-WAY LINE OF 36TH STREET AND SAID NORTHEASTERLY LOT LINE OF LOT 32, A DISTANCE OF 123.09 FEET;

THENCE SOUTH 44°34'48" WEST, DEPARTING SAID PARALLEL LINE, A DISTANCE OF 5.00 FEET TO THE POINT OF BEGINNING.

CONTAINING 615 SQUARE FEET OR 0.01 ACRES, MORE OR LESS.

FOR THE PURPOSE OF THIS DESCRIPTION THE BEARINGS ARE BASED ON THE 20' RANGE LINE ON THE EAST SIDE OF BLOCK 6 AS MONUMENT AS MONUMENTED BY A 3.25" ALUMINUM CAP LS 38026 IN RANGE BOX AT THE NORTHEASTERLY END AND BY A #5 REBAR WITH 1.25" YELLOW PLASTIC CAP LS 16845 AT THE SOUTHWEST END, BEARING SOUTH 44°34'48" WEST.



PREPARED BY: GERALD MATT NICHOLS, PLS
PLS 38026

ON BEHALF OF: SURVEY SYSTEMS, INC.
P.O. BOX 2168
EVERGREEN, CO 80437
(303)679-8122

FILEPATH: M:\2018-136-01-031 SGDZ\03_TECHNICAL\01_SURVEY DRAWINGS\SGDZ-CORNER.DWG LAYOUT: 36TH-LA
PLOTED: FR 07/26/19 3:51:28P BY: CHWSTGG

NO CHANGES ARE TO BE MADE TO THIS DRAWING WITHOUT WRITTEN PERMISSION OF SURVEY SYSTEMS INC.

ISSUE DATE: 7/26/19	
DATE	REVISION COMMENTS

EXHIBIT A

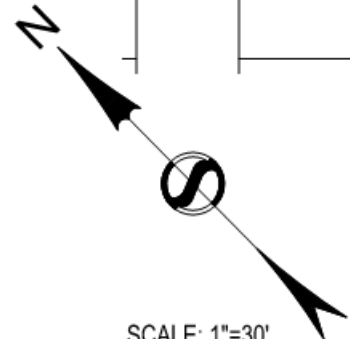
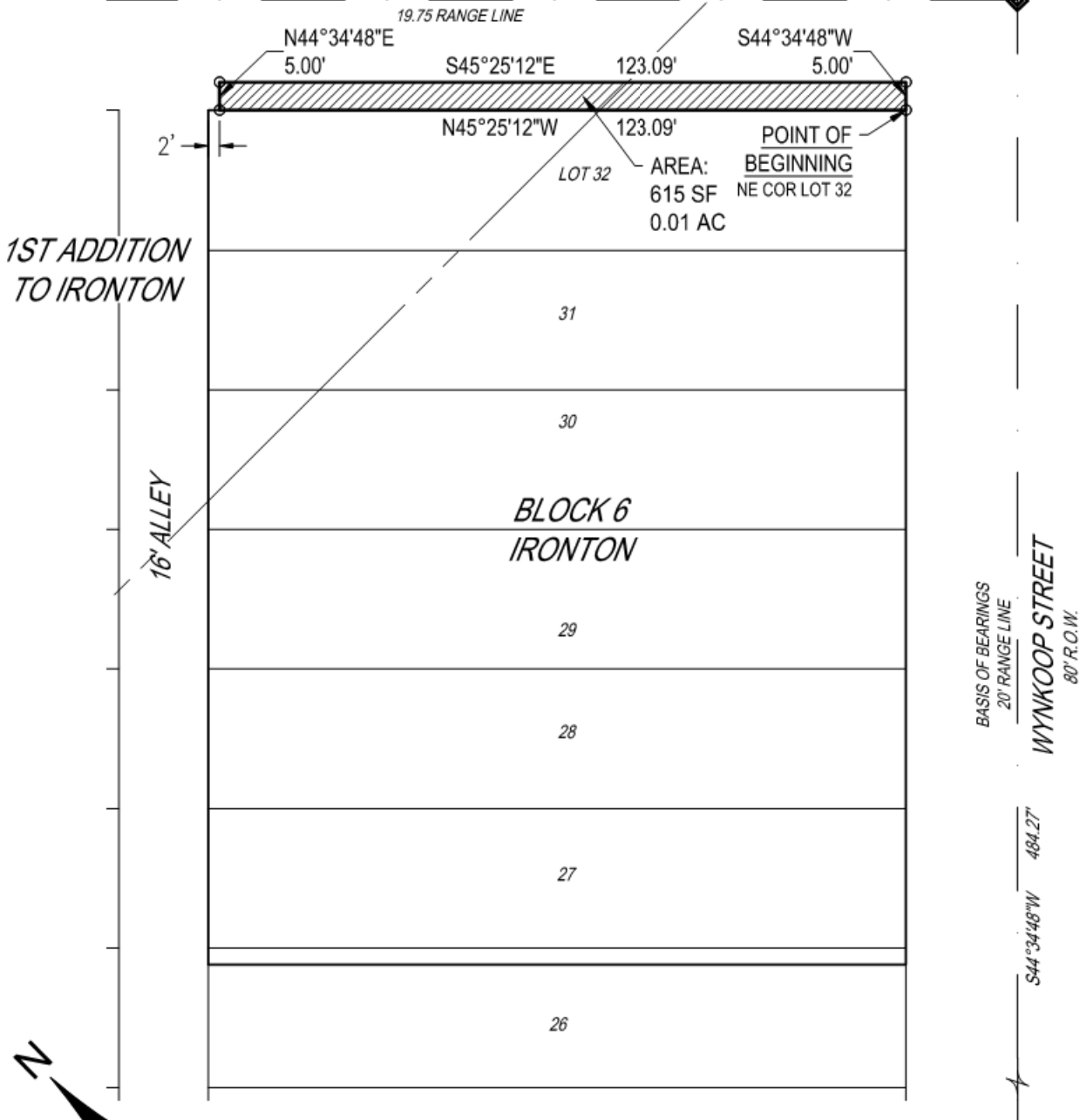
SURVEY SYSTEMS
A Professional Land Surveying Company
P.O. Box 2168 - Evergreen, CO 80437 Tel: 303.679.8122 - Fax: 303.679.8123
Info@SurveySystems.net www.SurveySystemsinc.com
A Service-Disabled Veteran-Owned Small Business SDVOSB | SBE

CHECKED BY: MN DRAWN BY: CH JOB #: 2018-136-01-031 CLIENT CODE: SGDZ2
SHEET NO: 1
1 OF 2

EXHIBIT A
SHEET 2 OF 2

36TH STREET
80' R.O.W.

FOUND 3.25" ALUMINUM CAP
IN RANGE BOX "LS 38026"



FOUND #5 REBAR
& CAP "LS 16845"

NOTE:
THIS EXHIBIT DOES NOT REPRESENT A MONUMENTED
LAND SURVEY. IT IS INTENDED TO DEPICT ONLY THE
ATTACHED LEGAL DESCRIPTION.

FILEPATH: M:\2018-136-01-031 SGGND\03_TECHNICAL\01_SURVEY DRAWINGS\SGGND-CORNER.LDW LAYOUT: 36TH-COR

NO CHANGES ARE TO BE MADE TO THIS DRAWING WITHOUT WRITTEN PERMISSION OF SURVEY SYSTEMS INC.

ISSUE DATE: 7/26/19	
DATE	REVISION COMMENTS

EXHIBIT A

SURVEY SYSTEMS
A Professional Land Surveying Company

P.O. Box 2168 - Evergreen, CO 80437 Tel: 303.679.8122 - Fax: 303.679.8123
Info@SurveySystems.net www.SurveySystemsinc.com

A Service-Disabled Veteran-Owned Small Business SDVOSB | SBE

CHECKED BY: MN
DRAWN BY: CH
JOB #: 2018-136-01-031
CLIENT CODE: SGGND2
SHEET NO:
2
2 OF 2