

April 24, 2023

## Proposed Donations to Denver's Public Art Collection

**Donor:** The Colorado Parks Foundation, Jeff Shoemaker, Executive Director

**Artists:** The Team of Andrew Patch and Edward Done and Mary Williams

**Locations:** Johnson Habitat Park and Confluence Park



Donor: The Colorado Parks Foundation, Jeff Shoemaker, Executive Director

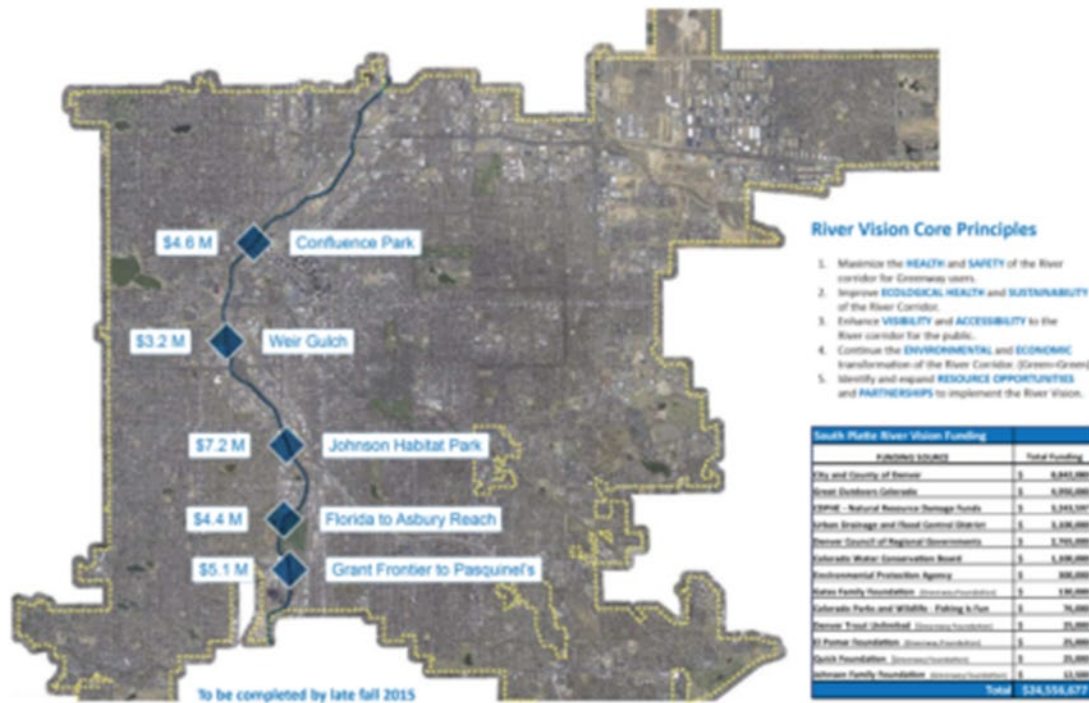
The Colorado Parks Foundation, Inc. (CPF) is a 501 (c)(3) nonprofit organization. Founded in 1985, the CPF raises funds that are placed in an endowment to carry out its mission benefitting parks, trails, waterways, and recreation in the State of Colorado.



Pictured: images of public artworks previously supported by Jeff Shoemaker

# Infinite Span - Michael Buckley - Grant-Frontier Park – Evans and S Platte River Dr.

One public artwork was installed with 1% funds in 2020 at Grant Frontier Park for the “River Vision” capital improvements. Other parks along the Platte river did not receive a new public artwork. These donations help “fill in the gaps.”



Project Overview:

## The Team of Andrew Patch and Edward Done - Johnson Habitat Park – 610 S Jason St



The Greenway Foundation's South Platte River Environmental Education (SPREE) program is headquartered within JHP

The SPREE program offers excursions, day camps, weekend events, internships, and summer employment.

**The Sculpture** - Johnson Habitat Park .We are designing a sculpture, a sea of flowers representing the Columbine, a multitude of colors, the Colorado state flower, and the Logo of Colorado Parks Foundation (CPF). All the flowers will be designed into a Kinetic sculpture to move with the breeze. Imagine a field of columbines blowing in the wind.

**Intent** - creating a sculpture that will access the emotions of being outdoors and discovering the joys of wildflowers. Fits in with the mission of the SPEER Program.

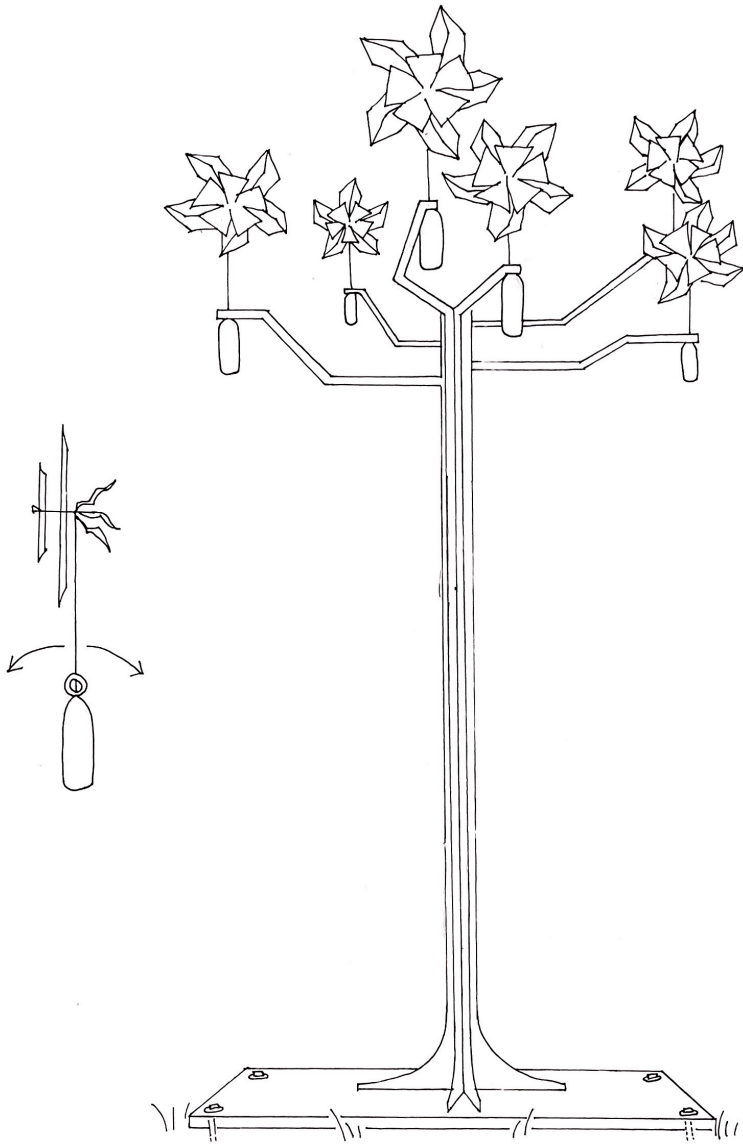
**Project Outline** - Fabrication of the sculpture. • Cutting out the individual flowers, so no two are alike • Constructing each base that will support 8 - 12 flowers - (40 - 60 flowers total) • Planning on five bases - 9' off the ground for safety • Concrete bases installed into the ground engineered to withstand high winds • Engineering certification



BIRDS EYE VIEW

"Your World for a Moment"

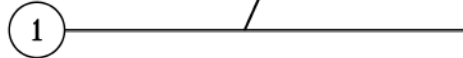
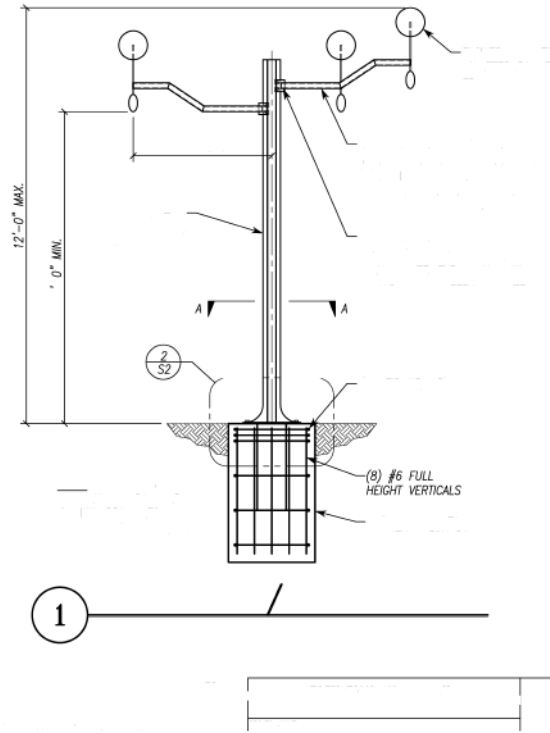
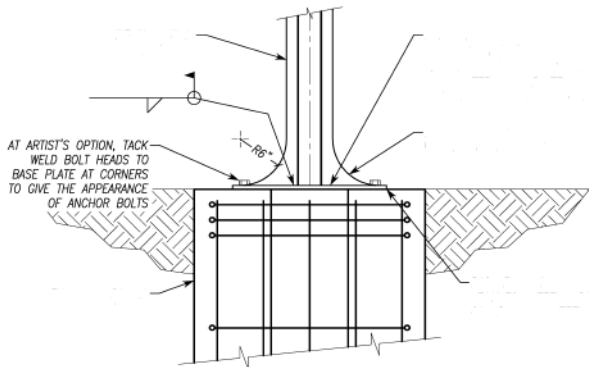
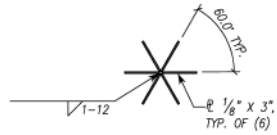
*If you take a flower in your hand and really look at it, it's your world for a moment.*



Andrew Patch and Edward Done are proposing five kinetics sculptures for the park.

- Trunk and branches - Cor-Ten Steel
- Flowers - Aluminum
- Bearing shaft - Stainless steel
- Flowers & Base Plate - Paint "Por 15" 2k Urethane
- Lowest height of the tree branches from the base – 9'

The paint is moisture-cured, so exposure to moisture and humidity will improve its performance and strength. POR-15 2K Urethane Paints are rock-hard, chemical resistant, non-porous, and incredibly tough coating when fully cured. Durable and easily cleaned, they will not crack, chip, peel, or fade with age. POR-15 2K Urethane paints will withstand even the most intensive UV environments.



Foundations:

- The foundations for the trees have been designed by Martino and Luth and will be 30" in diameter and 4' deep.
- Installation of the foundations will be contracted with ECI Site Construction Management, Inc. and Hardscapes.

Community outreach and engagement efforts are already in the planning stages to maximize the engagement and related excitement within the adjacent Athmar neighborhood, as well as the thousands of SPREE related students who engage with JHP and the immediately adjacent South Platte River Greenway. Working with District 7 City Councilman Jolon Clark, SPREE Headquarters will be used as a base for said efforts, providing learning opportunities for all who participate to learn of the exciting and Colorado based vision for the Columbine trees, obviously highlighting the Colorado State Flower.





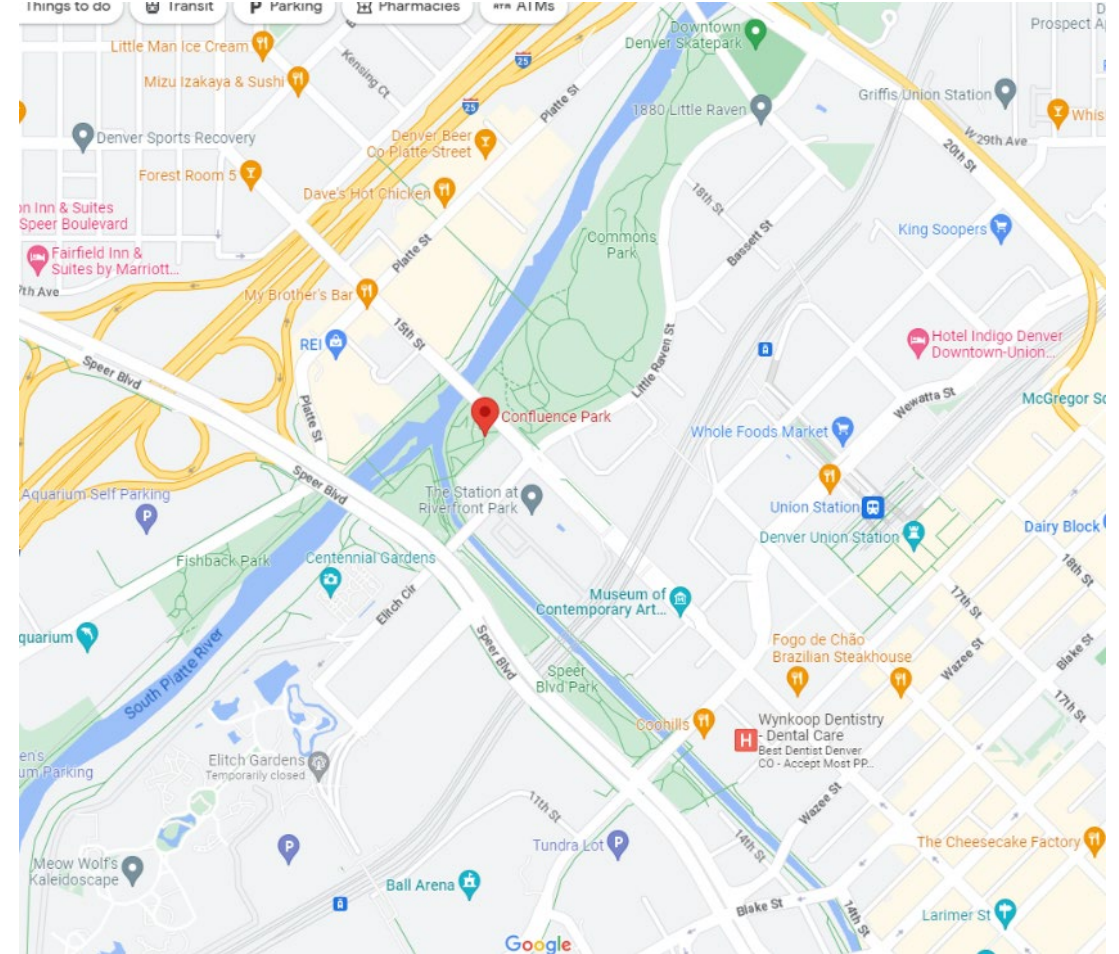


## Value to Denver's Public Art Collection:

- It provides a public artwork that would otherwise be possible without new 1% funds.
- New artists to the collection.
- We are adding an educational art component to the SPREE Program.
- Continued partnership with The Colorado Parks Foundation.



## Mary Williams - Confluence Park – A River Runs Through It



The goal of this project is to provide an engaging environmental art experience for the children of Denver by creating clay models of river rocks that will inspire the designs of the final river rocks within the permanent 3D wall mural located in Confluence Park.





The 8 panels will be made from glass fiber reinforced concrete by ID Sculpture located in Gunnison, CO. Public Art Services will install the 8 panels. A cleat system was developed and approved by Yetiwerks, Art and Engineering.

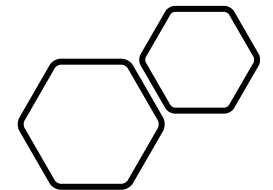


Tom Ward, a mural artist in Denver, will work with Mary Williams Art to paint each panel in its entirety including the River with reflections to create a flowing effect. Installation of the panels should be able to occur in one day. Painting of the panel will take 2-3 days. The paint that will be used is a siliconized acrylic concrete stain. The protective coat is Blok-Guard & Graffiti control 9.



*Sing and Glide* - Jeanne Quinn – Partially funded by a grant from The Colorado Parks Foundation

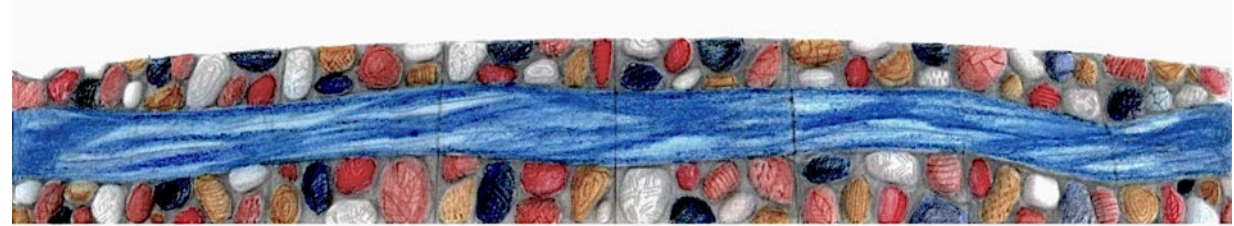
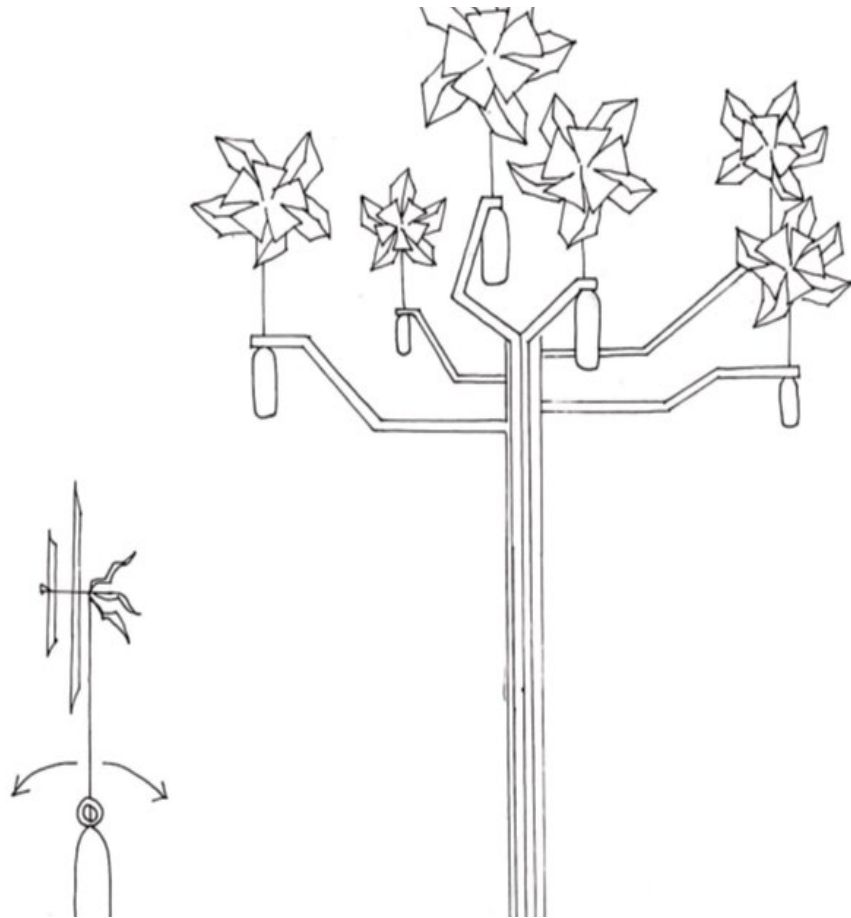
Red arrow indicates location of new artwork proposed by Mary Williams



Denver Parks and Recreation has reviewed and approved the safety, engineering, and location projects.

February 28, Public Art Committee (PAC) Feedback:

- The PAC unanimously recommends accepting donations to the Public Art Collection.
- Feedback: Plan and design for using dissimilar metals in contact in an outdoor setting.





- **Value to Denver's Public Art Collection:**
  - It provides a public artwork that would otherwise be possible without new 1% funds.
  - Providing a complementary addition to Jeanne Quinn's *Sing and Glide*
  - Continued partnership with The Colorado Parks Foundation and Greenway Foundation.