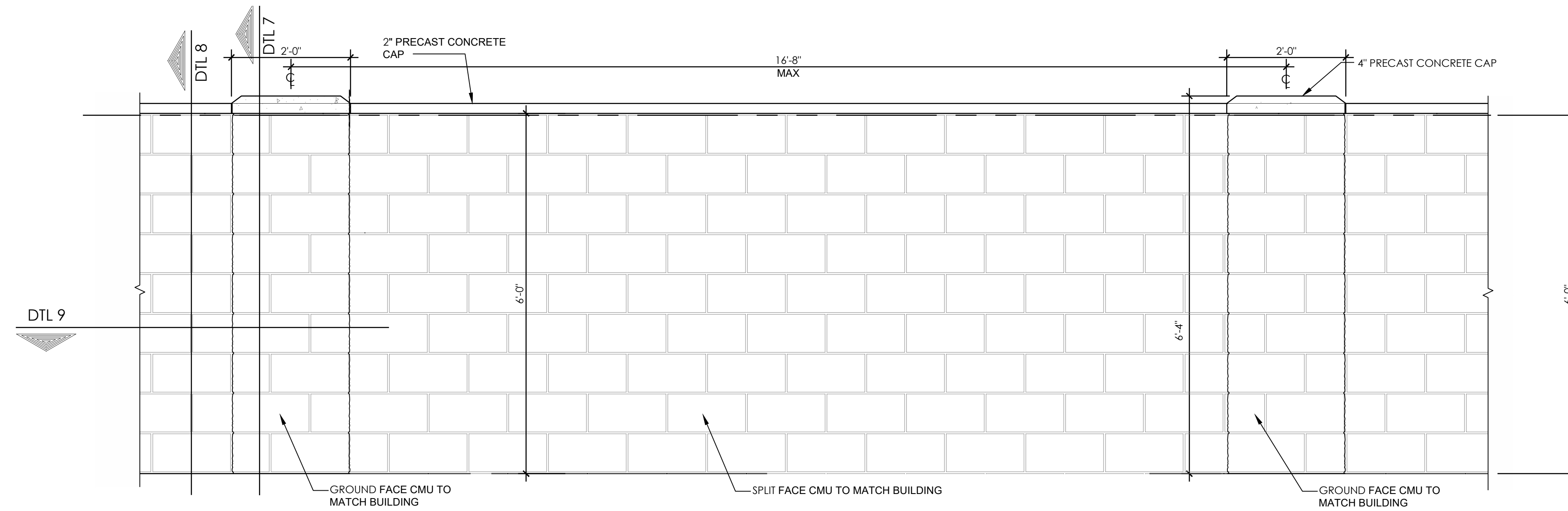


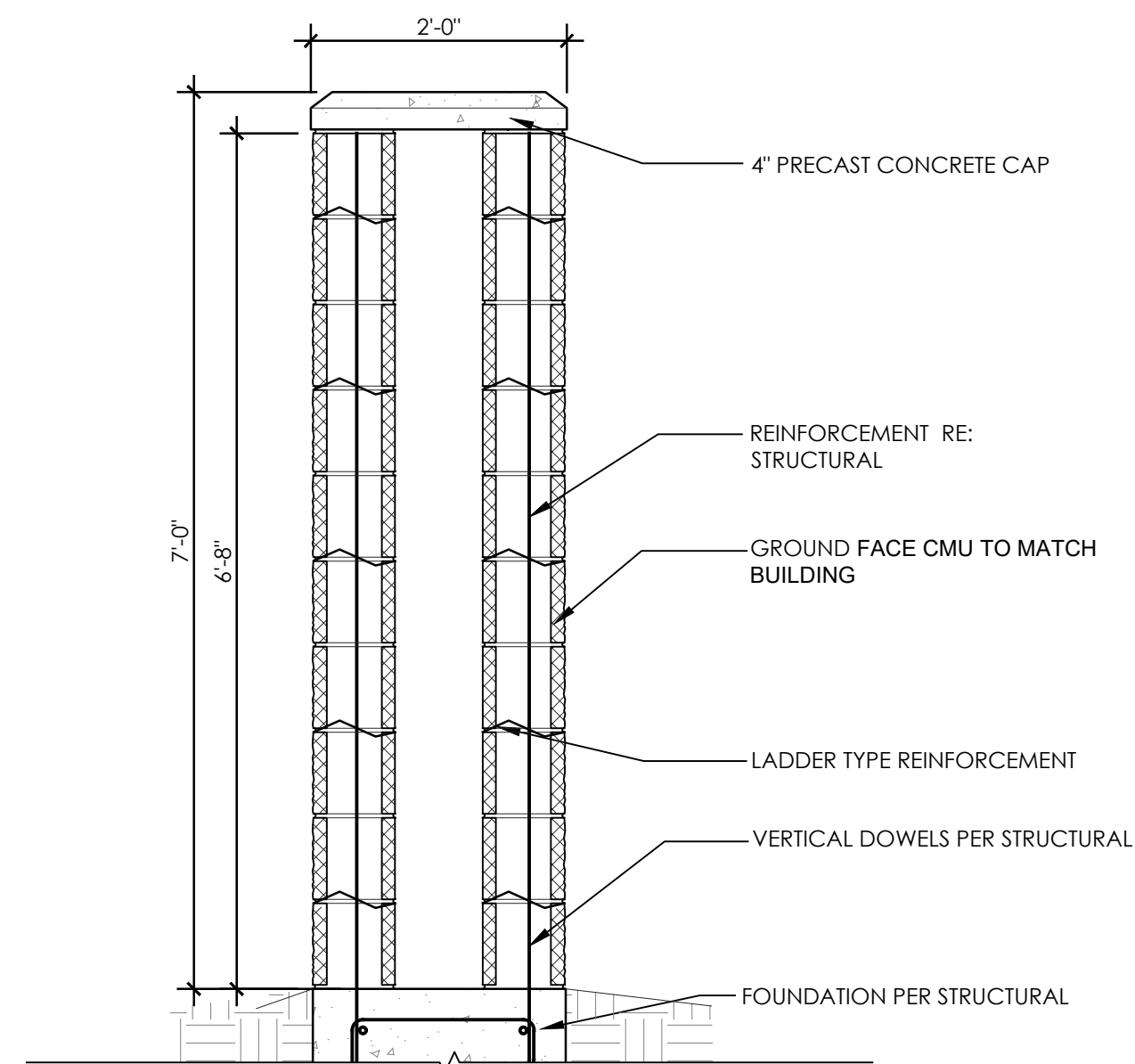
DENVER I-70 & FEDERAL

SITE DEVELOPMENT PLAN

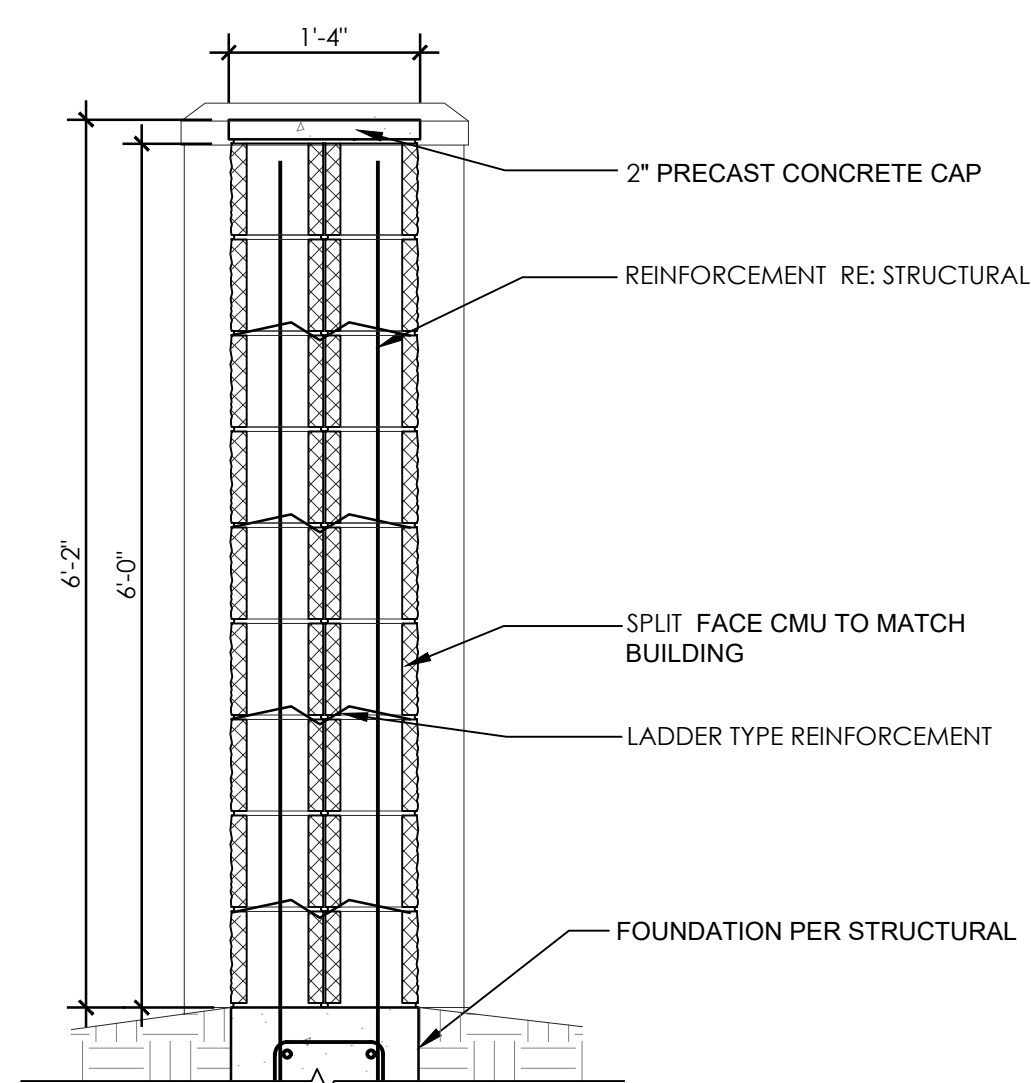
A PORTION OF THE SE $\frac{1}{4}$ OF SEC.17
T3S, R68W, OF THE 6TH P.M.
CITY & COUNTY OF DENVER
LOCATED AT: 4850 NORTH FEDERAL BOULEVARD



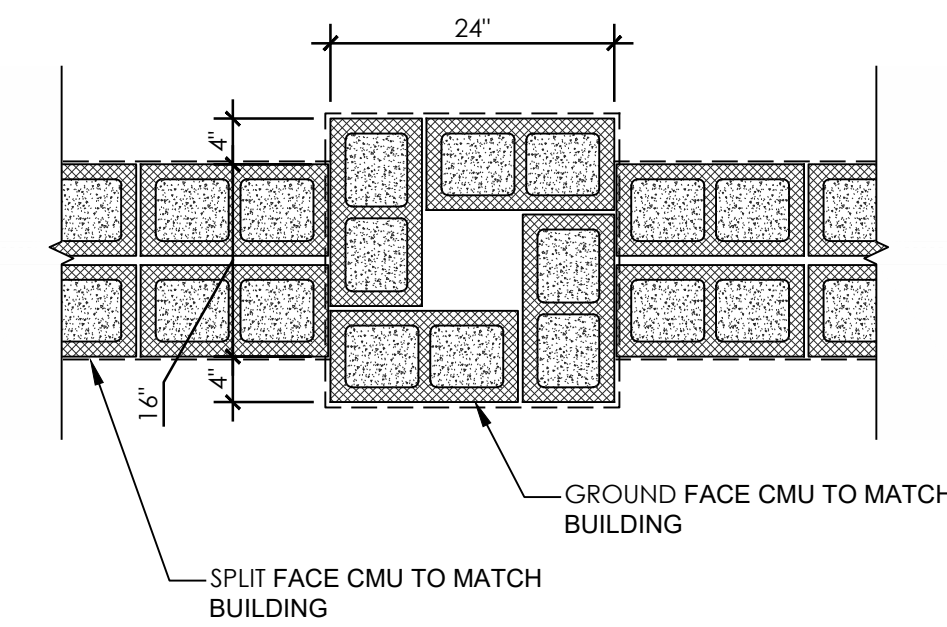
3 ELEVATION OF FENCE
3/4" = 1'-0"



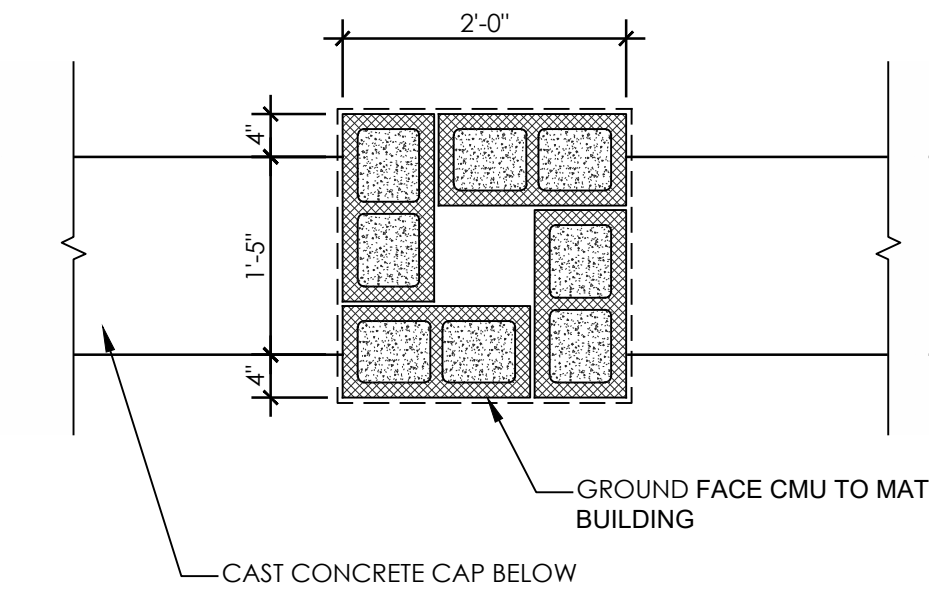
7 FENCE SECTION
3/4" = 1'-0"



8 FENCE SECTION
3/4" = 1'-0"



9 FENCE PLAN
3/4" = 1'-0"



10 FENCE PLAN
3/4" = 1'-0"